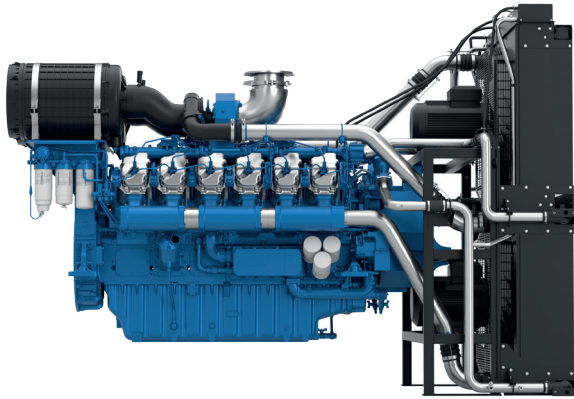


12M33

PowerKit Natural Gas Engine



Bore x Stroke (mm)	150 x 185
Displacement (L)	39.2
N° of Cylinders	12
Cylinders Arrangement	At Vee
Fuel System	Open Chamber / Lean Burn
Governor (Gov.)	ECU
Aspiration (Asp.)	T/A-W

Customer benefits

Low emission standard, lean burn technology resulting in lower NOx emissions
 High transient and block load capabilities
 Full duty cycle capability, from prime to continuous power
 Low energy fuel capability (landfill & biogas)
 Electronically controlled high efficiency engines

Gas Engine		Gross Engine Output		Typical Generator Output				Asp	Gov
Model	Speed Rpm	COP Power kWm	PRP Power kWm	COP Power		PRP Power			
				kWe	kVA	kWe	kVA		
12M33G10N0/5	1500	765	900	680	850	800	1000	T/A-W	ECU
12M33G14N0/6	1800	816	960	720	900	850	1063	T/A-W	ECU

Aspiration : T/A-A = Turbocharged & Air-to-Air Aftercooled

Standard equipment

Engine and block

Cast iron cylinder block with inspection door per cylinder
 Cast iron cylinder liners, wet type and replaceable valves guides and seats
 Hardened steel forged crankshaft with induction hardened journals, crankpins and radius
 Lube oil cooled light alloy pistons with high performance piston rings

Cooling system

Thermostatically-controlled system with belt driven coolant pump

Lubrication system

Full flow screw able oil filters
 Lube oil purifier with replaceable cartridge
 Water cooled lube oil cooler

Fuel system

Low Pressure gas supply – open chamber combustion
 Optimum performance and efficient use of fuel for COP, CHP and PRP applications

Air intake and exhaust system

Top-mounted turbocharger optimized for gen-set application
 Special rear mounted air filter with restriction indicator
 Exhaust manifold and turbocharger shield for heat isolating

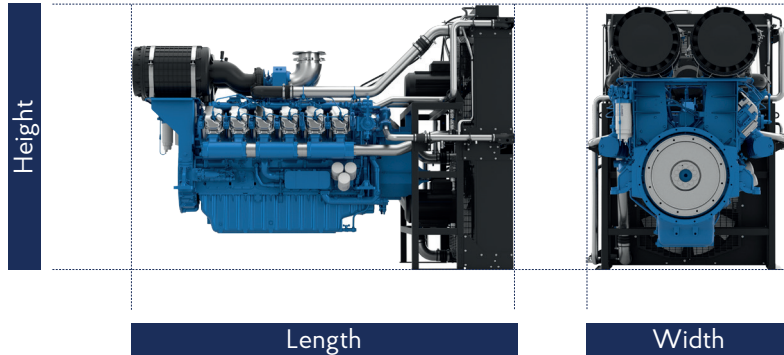
Electrical system

12V DC electric starter motor and battery charging alternator
 Low oil pressure & high water temperature sensors

Flywheel and housing

SAE 0 flywheel housing and 18" flywheel

Dimensions and dry weight (mm/kg)



Diesel Engine		Dimensions and dry weights including radiator			
Model	Model	L (mm)	W (mm)	H (mm)	Weight (Kg)
12M33G10N0/5	1500	2164	1497	1710	3390
12M33G14N0/6	1800	2164	1497	1710	3390

Ratings definitions

Continuous Power (COP)

Continuous Power is the maximum power available for an unlimited period of use at a constant load factor. No overload capability is allowed.

Unlimited Prime Rated Power (PRP)

Prime Power is the maximum power available for unlimited hours of usage in a variable load application. The average load factor should not exceed 70% of the engine's PRP power rating during any 24 hour period. An overload capability of 10% is available, however, this is limited to 1 hour within every 12 hour period.

- 1) All ratings are based on operating conditions under ISO 8528-1, ISO 3046, DIN6271. Performance tolerance of $\pm 5\%$.
- 2) Test conditions: 100 kPa, 25°C air inlet temperature, relative humidity of 30%, with fuel density 0.84 kg/L. Derating may be required for conditions outside these; please contact the factory for details.
- 3) Power output curves are based on the engine operating with fuel system, water pump and lubricating oil pump; not included are battery charging alternator, fan and optional equipment.